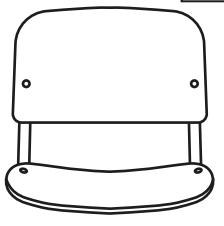
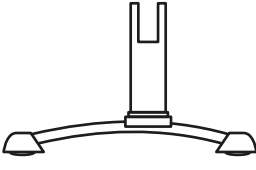



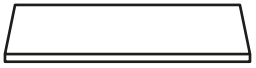

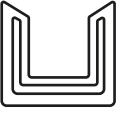

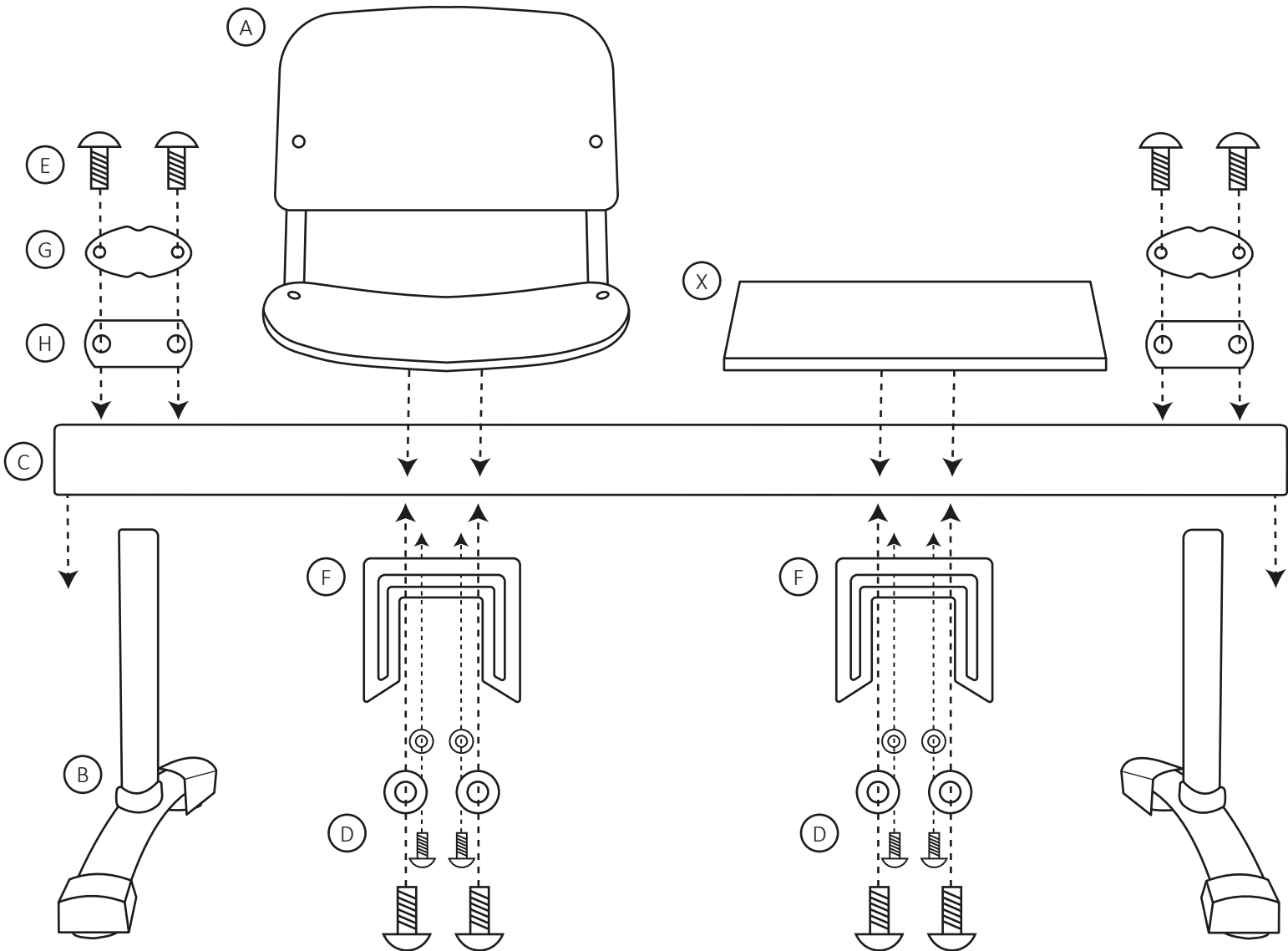
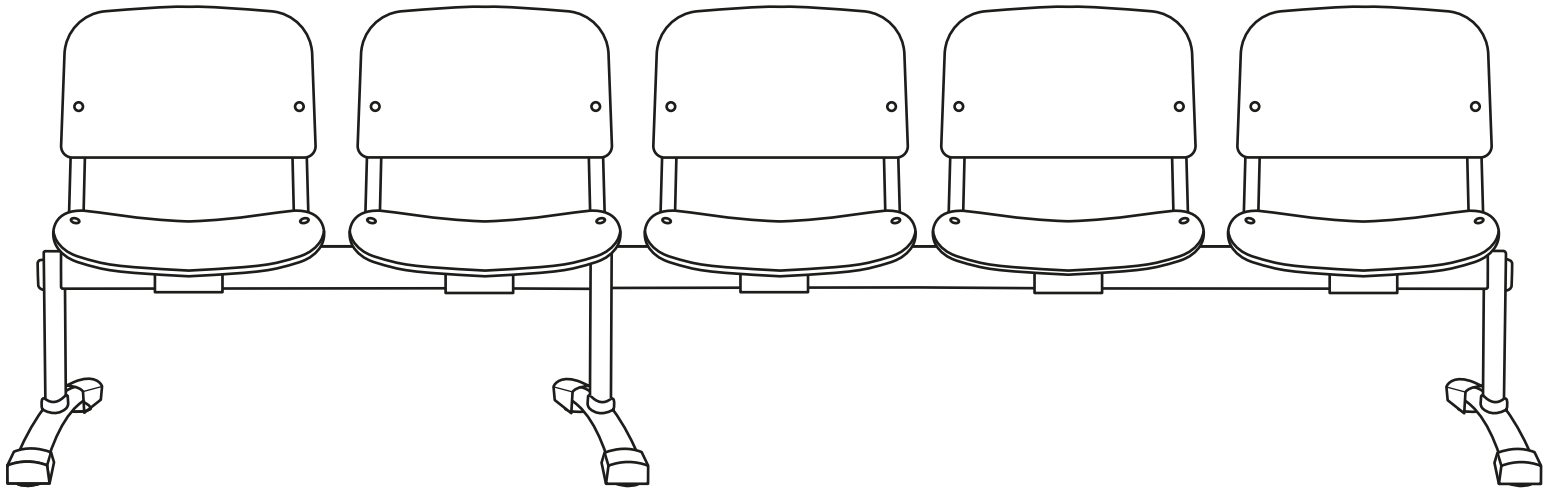


1122 - 1125 L with/without TAVO table

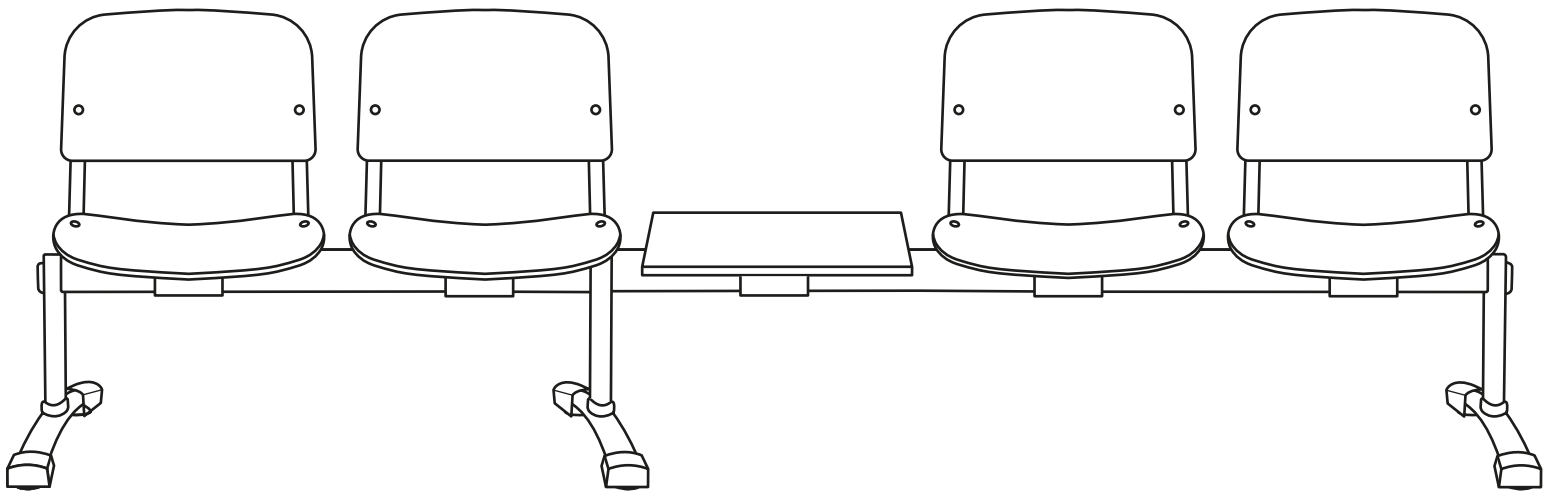
A	 1-5x	B	 2-3x	C	 1x	E	 M8x25 4x
G	 2x	X	 1x	D	 M8x14 8-20x	F	 2-5x
H	 2x						



1122 - 1125 L



1122 - 1125 L + tavo



MAINTENANCE

Maintenance of upholstery is carried out by wiping off dirt and spots with a damp cloth; in case of leather or leathe-rette please use a slightly watery cloth.

Warranty period is 24 months. During the warranty period, the manufacturer will replace free of charge all parts that have been damaged due to material defects or manufacturing errors. In these cases, the manufacturer replaces defecti-ve parts, not the entire bench.

The warranty does not cover damages caused by:

1. Transportation (damages are the responsibility of the carrier)
2. Natural disasters
3. Incorrect assembly
4. Careless and inappropriate use
5. Non-compliance with the provided instructions

